



Features

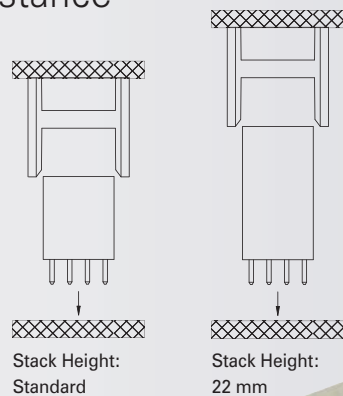
- 120 pins, 4 rows
- 2.00 mm pitch
- Non-stack-through (short pins) or stack-through (long pins) version available
- Meets the requirements of SUMIT™ Specification Revision 1.5
- RoHs compliant
- Tcom press® as worldwide leading press-fit section:
 - no solder bridges or solder splashes
 - no thermal stress on the PCB
 - no risk of cold solder joints
 - no risk of solder interference on long tail connectors
- The connectors can be pressed in with the same ept press-fit tool (flat rock insertion tool) in one single step, resulting in significant cost-savings in production
- Robust design for ruggedized applications
- Compatible with PC/104-Plus connectors according to PC/104 specification

PC/104-Plus in 22 mm

Connector system for 22 mm Board-to-Board Distance

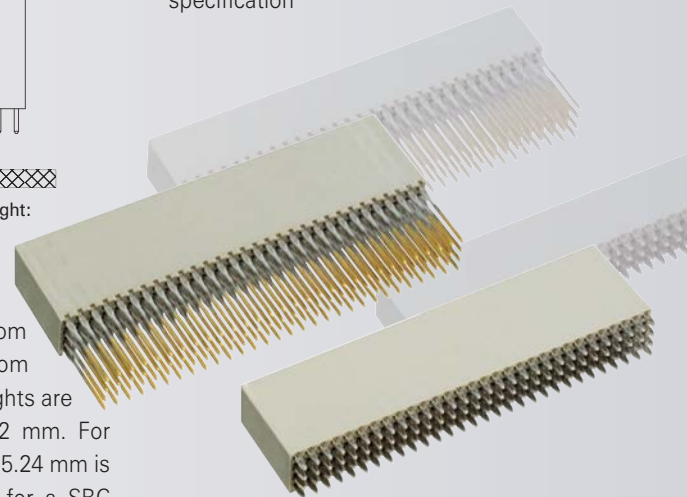
With PC/104-Plus in 22 mm, ept has developed the best connector solution to **stack two PCBs in 22 mm board-to-board distance**. Both versions will be available, long tail to stack-through a PCB and short tail for non-stack-through. ept's world-class press-fit section Tcom press® not only ensures best reliability, but also meets highest requirements in **ruggedized environments**. Further more, smooth surface of terminals and pin tips as well as ideal socket design provide **best performance, longevity, and reliability** in your application.

ept is the perfect partner when you are looking for a high-quality press-fit connection between PCBs. Based on our extensive experience with board-to-board stacking applications, ept has provided many high quality solutions to solve customer requirements.



Connector Stack Height

The stack height is measured from the top of one board to the bottom of the next. Currently, stack heights are specified for 15.24 mm and 22 mm. For multiple stacking modules, the 15.24 mm is the standard height; however, for a SBC (single board computer) that needs additional clearance for a heat sink, fan or cooling solution, the 22 mm connector can be used.



ept GmbH
Peiting, Germany
Tel. +49 (0) 88 61 / 25 01 0
sales@ept.de

ept, inc.
Chester, Virginia, USA
Phone 800 323 2568
+1 804 530 0820
sales@eptusa.com

ept Electronic Precision Technology (Shanghai) Ltd.
Shanghai, P. R. China
Tel. +86 (0) 21-54 26-09 88
sales@eptcn.com