

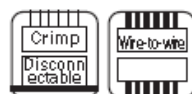
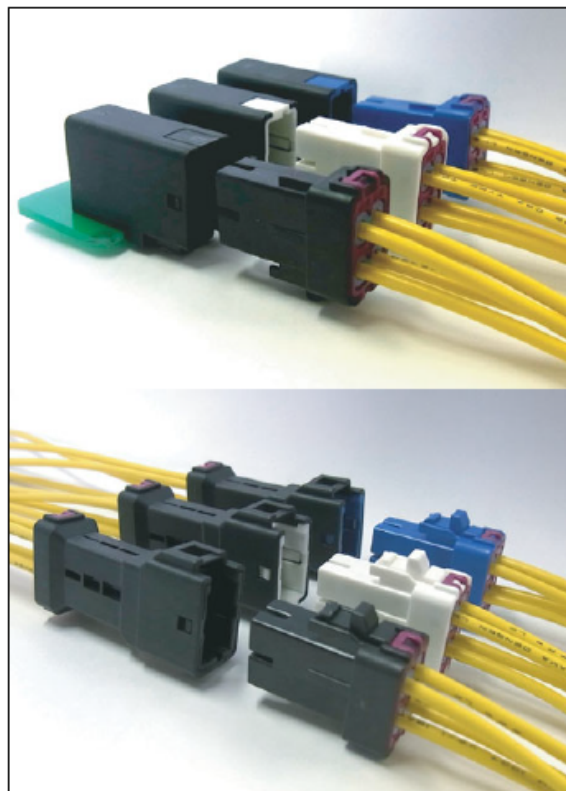
NEW PRODUCT

For waterproof

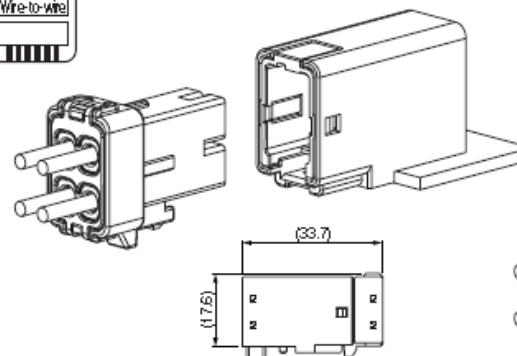
JWPS CONNECTOR

4.0mm Pitch

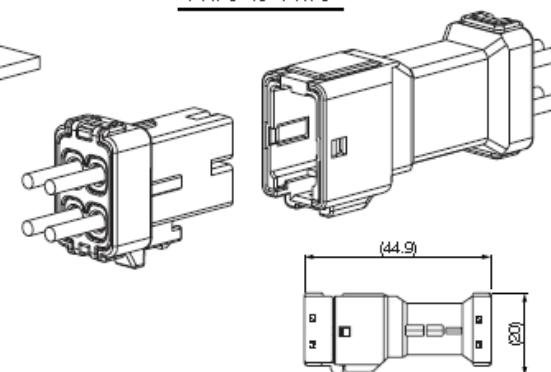
This JWPS connector can be used for the place of which especially waterproof is required.



Wire to Board



Wire to Wire



■ Features

● Waterproof grade

Waterproof grade is equivalent to 7 ingress protection of JIS C 0920 (IPX 7 of IEC 60529)

● Contained seal ring

Seal ring is completely contained in housing and protects from dust, scratch etc. from outside. Also the seal ring holder prevents the seal ring from falling off.

● Mis-mating prevention key

3 kinds of mis-mating prevention key are provided. Since the different color is given to each key, the key can be distinguished easily and visually.

● Double spring construction

The receptacle contact has double spring construction that consists of a main spring and an assistant spring, and ensures superior contacting reliability. The spring part is protected from the abnormal operation by providing a protection part preventing from excessive deformation (prying contact).

■ Specifications

- Current rating : 4A AC, DC (AWG #22)
: 5A AC, DC (AWG #20)
: 6A AC, DC (AWG #18)
- Voltage rating : 300V AC, DC
- Temperature : -55°C to +85°C (including temperature range rise in applying electrical current)
- Applicable : Conductor size / AWG #22 to AWG #18
wire Insulation O.D. / 1.75 to 2.5mm dia
- Applicable : t=1.6mm
PCB thickness
- No. of Circuits : 2 and 4 circuits
- Part number : Receptacle contact SJWPSR-21T-P1.0
: Tab contact SJWPST-21T-M1.0N
: Receptacle housing assembly
(XX)R-JWPS-V()LE-D()-A
: Header housing assembly
S(XX)-JWPS-K()S-()R (LF) (SN)
: Tab housing assembly
(XX)T-JWPS-VK()LE-D()-A1

Contacts	Tab Housings	Receptacle Housings	Headers	Color
SJWPST-21T-M1.0N		02R-JWPS-VKN-SX-B	S02B-JWPS-KKS-XR (LF)(SN)	Black
SJWPSR-21T-P1.0		02R-JWPS-VSN-SY-B	S02B-JWPS-KSS-YR (LF)(SN)	White
	02T-JWPS-VKEN-SZ-B	02R-JWPS-VEN-SZ-B	S02B-JWPS-KES-ZR (LF)(SN)	Blue
	04T-JWPS-VKKN-DX-B1	04R-JWPS-VKN-DX-B	S04B-JWPS-KKS-XR (LF)(SN)	Black
		04R-JWPS-VSN-DY-B	S04B-JWPS-KSS-YR (LF)(SN)	White
		04R-JWPS-VEN-DZ-B	S04B-JWPS-KES-ZR (LF)(SN)	Blue
	04T-JWPS-VKKLE-DX-A	04R-JWPS-VKLE-DX-A		Black