



ValueLine Industrial PC

Configurable industrial platform for
visualization and control

ValueLine Industrial PC

Powerful, robust and configurable

ValueLine Industrial PC is a new line of industrial computers designed for a wide variety of automation, process visualization and control applications. Various screen sizes, CPU, RAM and mass storage choices allow the customer to choose the right hardware to meet the specific application requirements.



Modular design and construction.
(Not designed for field reconfiguration.)

ValueLine Industrial PC's design is:

- **Modular** – Custom-design multiple configurations on the same basic hardware platform. ValueLine system accepts an optional PCI expansion module, adding two extra PCI slots.
- **Robust** – Fanless design and solid state hard drive option results in a system without any moving parts.
- **Maintenance-friendly** – Convenient service door conceals an easily removable hard drive and CompactFlash™ devices for fast swap outs, as well as easy access to the RTC battery.

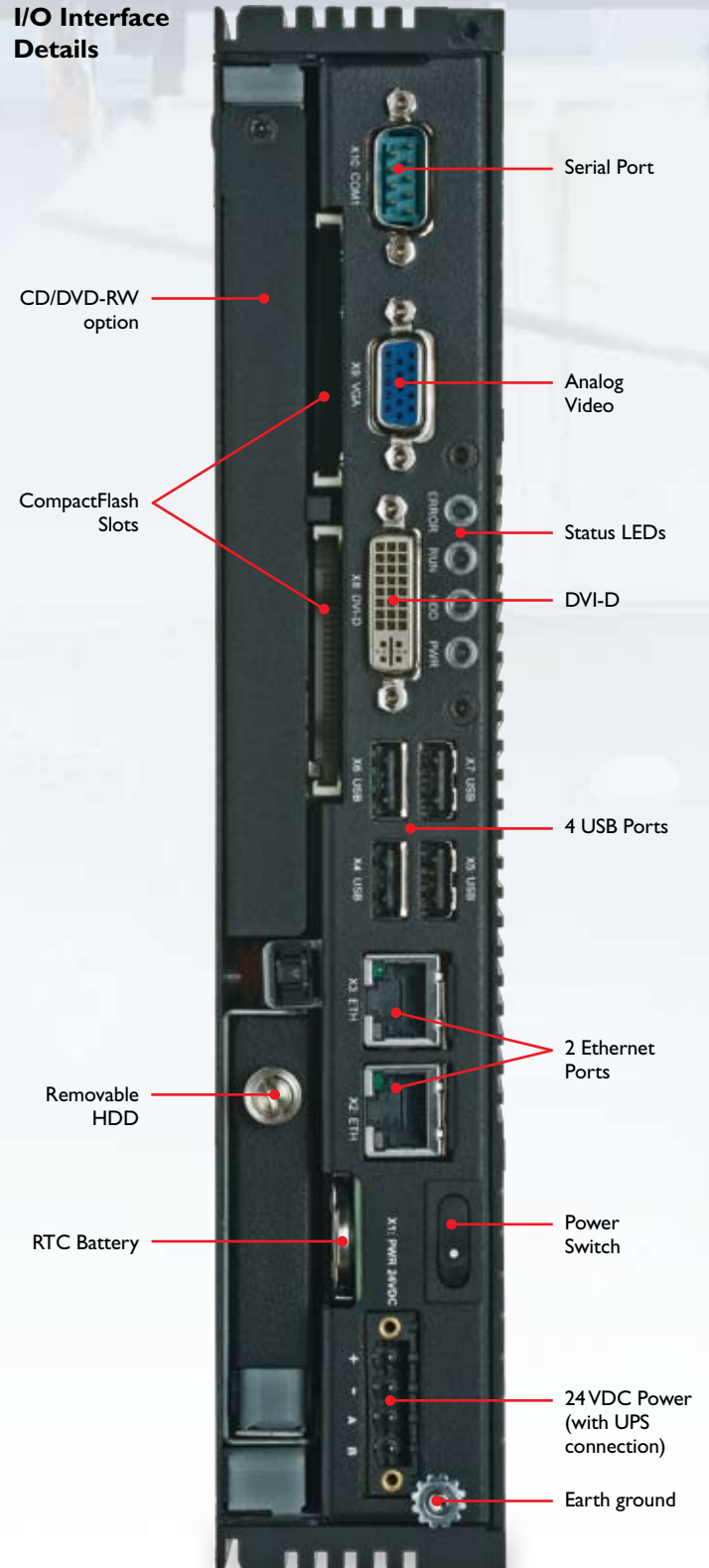
Key features include:

- **Leading CPU technology** - Choose from Celeron® M or Core™2Duo processors for flexibility in price and power
- **Touch screen display** - Available in 15- or 17-inch resistive touch screen
- **Optical storage drives** - Add a CD/DVD-RW drive
- **Flexible mounting options** - Panel mounting for systems with a display; bookshelf, wall mount and rail mounting for blind nodes
- **Fanless design** - Eliminates CPU damage as a result of fan failure
- **Connectivity** - Two integrated 10/100/1000 Ethernet ports
- **Large on-board memory** - Up to 4 GB of DDR RAM
- **Rugged mass storage options** - Choice of 120 GB or 160 GB hard drive, up to 4 GB of CompactFlash or a 64 MB Solid State Hard Drive (SSHD)

Industries include:

- **Automotive**
- **Paper and printing**
- **Material handling**
- **Petrochemical**
- **High-speed automation**
- **Pharmaceutical**
- **Water/wastewater**

I/O Interface Details



Configure ValueLine to fit your application

Applications include:

- **HMI visualization** - Configure a ValueLine system with a touchscreen display when any type of visualization is required. Ideal for HMI and SCADA applications.
- **Operator interaction** - Configure a ValueLine system with a touchscreen display when an application requires interaction with a machine operator.
- **Blind node** - Configure a ValueLine system without a touchscreen display when a touchscreen is not needed. Ideal for control or data collections applications. Mount bookshelf-style inside a cabinet.
- **Fieldbus I/O connectivity** - Configure a ValueLine system with the PCI expansion module when application requires an interface to a fieldbus I/O network.
- **Machine control** - Configure a ValueLine system with a Steeplechase VLC runtime when application requires real-time machine control.

**Steeplechase
VLC** 



Selection guide

ValueLine Industrial PC is a configurable product without fixed part numbers. A configured system is identified by an order key, which is composed of the base part number followed by a series of identifiers describing the features of the configured system.

Please contact your local Phoenix Contact sales representative for available configuration options and pricing.

ValueLine Industrial PC base part number: 2913108

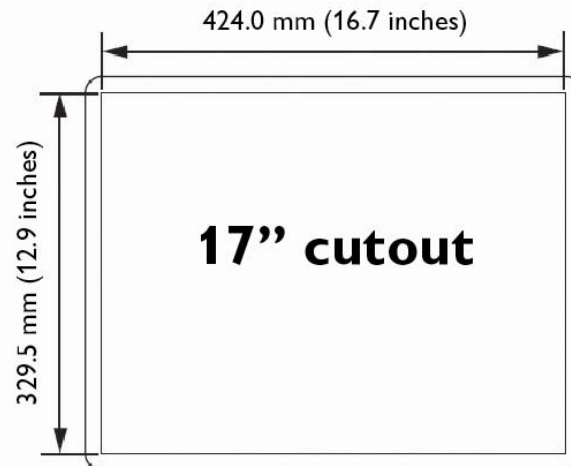
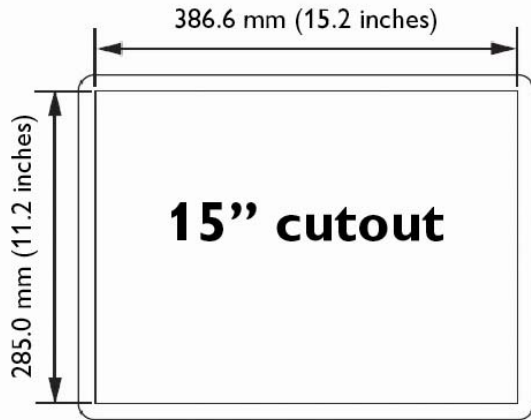
Available configuration options include:

Display	None	15" touchscreen	17" touchscreen		
Mounting	Panel	Bookshelf	Wall	Rail (future)	
CPU	1.01 GHz Celeron	1.5 GHz Core2Duo			
Memory	1 GB DDR SODIMM	2 GB DDR SODIMM	4 GB DDR SODIMM		
Operating System	Windows XP SP3	No operating system			
Mass Storage	120 GB HDD SATA	160 GB HDD SATA	120 GB HDD SATA (high-temp.)	160 GB HDD SATA (high-temp.)	64 GB SSHD
PCI Slots	0 slots	2 slots			
Optical Media	CDRW DVDRW	None			
VLC Runtime Options	VLC without HMI	VLC with HMI (MachineWorx)	128 KB NVRAM (future)		



Standard cutout dimensions ValueLine Industrial PCs

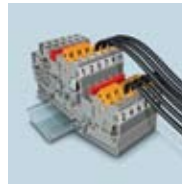
PHOENIX CONTACT Ltd.
235 Watline Avenue
Mississauga ON L4Z 1P3
Phone: 905.890.2820
Fax: 905.890.0180
www.phoenixcontact.ca



Phoenix Contact offers a full family of modular components covering virtually all of your electrical and electronic needs as well as a broad range of value-added services.

CLIPLINE

- DIN rail-mount terminal blocks
- Marking materials and printers
- Tools
- Ferrules



TRABTECH

- Surge voltage protection



INTERFACE

- Analog signal converters
- Power supplies
- Relays
- PLC cabling
- Rail-mount breakout modules
- Intrinsic safety modules



COMBICON

- PCB terminal blocks
- Electronic component housings



PLUSCON

- Industrial plug connectors
- Sensor cabling and sensor boxes



AUTOMATIONWORX

- Solutions, products and services for DeviceNet, Profibus, Ethernet and Interbus
- Controllers and software
- Fieldbus I/O
- Ethernet infrastructure components



Canada
PHOENIX CONTACT Ltd.
235 Watline Avenue
Mississauga, Ontario L4Z 1P3
Phone: 905-890-2820
Technical Service: 800-890-2820
Fax: 905-890-0180
Website: www.phoenixcontact.ca